

MCP900

Manual Call Point



General Description

The MCP900 Manual Call Point has been specially designed to be used with:

1. Conventional Fire Alarm Systems,
2. Analogue Addressable Loops compatible with System Sensor communication protocols
3. Extinguishment Systems

This stylish easy-to-install Manual Call Point is ideal for internal environments that require manual activation and inhibition of Fire Alarms and Fire Extinguishment Systems.

The MCP900 can be used for Door and Escalator control, etc., and is available in a choice of colours.

It can be mounted in a custom surface mounting back box (separate accessory item MCP900/*B) or flush mounted to the majority of outlet box formats available in Europe.

The MCP900 Manual Call Point is activated by pushing the centre of the Operating Face (black arrows indicate the exact point), and reset by means of the special key.

Characteristics

- 99 addresses for MCP900/*Y
- Alarm LED (MCP900/*CB, MCP900/*C, MCP900/*Y and MCP900/*CS only)
- Standby status (MCP900/*CB only)
- Key Reset
- Two wire connection for easy installation
- Flush or surface mounting
- Complies with EN54 part 11

An asterisk, next to the product version, indicates the following choice of body colours:

R=Red, **W**=White, **B**=Blue, **G**=Green, **Y**=Yellow

Connections

The Module can be connected to the Conventional Zone or Loop circuit by means of a standard two wire connection

Installation

1. Pull the connection wires through the wire entry of the outlet box or MCP900/*B back box.
2. Complete the Loop circuit or Conventional zone connections on the terminal board.
3. Select the required Address (for MCP900/*Y version only).
4. Remove the Front Face then stick the Lexan to the Operating Face.
5. Reassemble the parts.

If the MCP900 is to be flush mounted to an Italian standard 503 outlet box, it will be necessary to fit an MCP900/*F flange (accessory item).

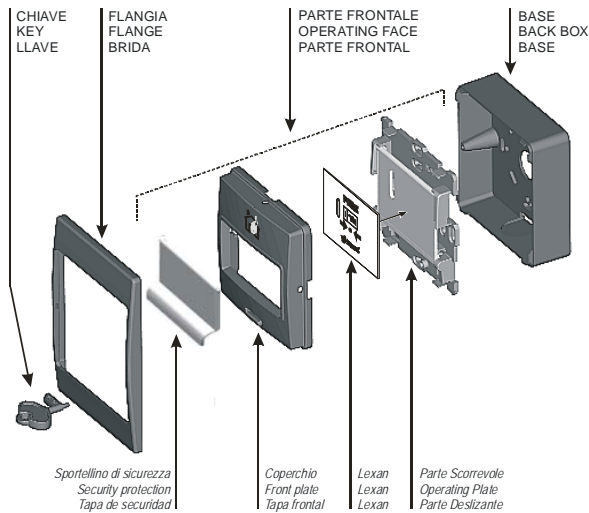


figure 1: Exploded view

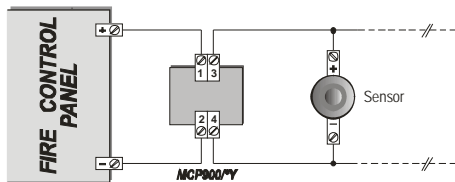


Figure 2: Wiring diagram

Specifications

Operating Voltage	15 a 32 Vdc
Standby Current	200 uA max
Alarm Current	5 mA
Dimensions (H x W x D)	92 x 92 x 48 mm
	125 g.

Commercial codes

- MCP900/Y Addressable Manual Call Point
- MCP900/S Manual Call Point with Free Voltage Changeover Contact
- MCP900/CB Conventional Manual Call Point with Status LED (for Alarm and Standby signalling)
- MCP900/RB Manual Call Point Back Box
- MCP900/RF Manual Call Point Flange (10 piece kit)
- MCP900/LN Manual Call Point Universal Lexan (10 piece kit)
- MCP900/DN Universal Security Protection (10 piece kit)
- MCP900/RK Manual Call Point key (10 piece kit)

Distributore:



Bentel Security s.r.l.
 Via Gabbiano, 22
 Z.I. S. Scolastica
 64013 Corropoli (TE) – ITALY
 Tel. +39 0861 839060
 Fax +39 0861 839065
 e-mail: info@bentelsecurity.com
<http://www.bentelsecurity.com>