



HS900

Hornstrobe

General Description

The HS900 is a high performance "HornStrobe" especially designed for sound and visual warning in the event of fire, evacuation and burglar alarms. The flashes emitted by the Strobe's high intensity Xenon tube are visible from all angles and thus provide maximum visual coverage.

The smart, low-profile HS900 HornStrobe blends with all environments, making it ideal for hotels, hospitals, cinemas, offices and homes.

Characteristics

- Volume Control
- Programmable sounds
- Power Supply 24V
- Synchronized mode
- Separate and independent inputs for siren and flasher
- Complies with EN54 part 3

Wiring connection

CONNECTIONS: 2 WIRES, NON-SILENCEABLE, NON-SYNCHRONIZED (Figure 1)

This connection can be seen in figure 1. The Control Panel NAC (Notification Appliance Circuit) should be programmed as FIXED (non-temporized). The strobe will operate at 1 Hz flash frequency, and the horn as per the jumper setting. When the Control Panel NAC output is deactivated, the HS900 HornStrobe will stop.

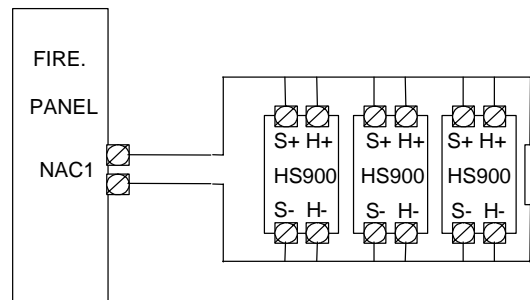


Figure 1:

CONNECTIONS: 4 WIRES, SILENCEABLE, NON-SYNCHRONIZED (Figure 2)

This connection can be seen in figure 2B. NAC 1 should be programmed as NON-SILENCEABLE and NAC 2 as SILENCEABLE. When NAC 2 is SILENCED the Horn will stop but the Strobe will continue at 1 Hz flash frequency.

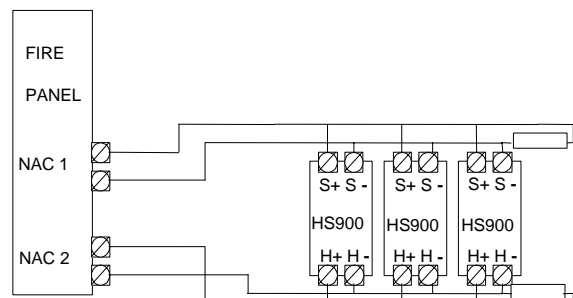


Figure 2:

CONNECTIONS: 2 WIRES, NON-SILENCEABLE, SYNCHRONIZED (Figure 3)

This connection can be seen in figure 2C. Please note that in this case the SYNC900 synchronizer module must interface between the Control Panel and the HS900. The Control Panel NAC should be programmed as FIXED (non-temporized). The SYNC900 will synchronize the Strobes, and Horns (all horns must be programmed with the same tone).

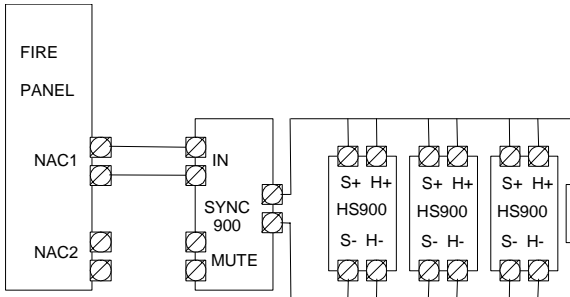


Figure 3

CONNECTIONS: 2 WIRES, SILENCEABLE, SYNCHRONIZED (Figure 4)

This connection can be seen in figure 2D. Please note that also in this case the SYNC900 synchronizer module must interface to the Control Panel and HS900. The operating principles are similar to those shown in figure 2C, however, all Horns will be silenced when NAC2 of the Control Panel is silenced.

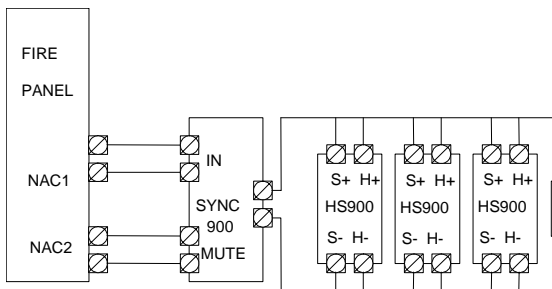


Figure 4

Installation

The HS900 is for indoor use only, and must be installed as per the instructions, and in accordance with the local laws in force.

The HS900 may be wall mounted to compatible electrical circuit boxes: "503", "10x10", "single gang", "2-gang", "4 inch" and others. The wires/conduit must be able to run smoothly through the cable entry.

Specification

| | |
|----------------------------------|---------------------------------------|
| Operating voltage | 19 a 32 Vdc |
| Current draw strobe (mean value) | 135 mA |
| Current draw horn (mean value) | 90 mA |
| Sound output high/low volume | 87±3dB / 100±3 dB |
| Candela | 60 cd |
| Operating temperature | 5 ÷ + 40 °C |
| Size (L x H x P); Weight; IP | 126 mm x 132 mm x 49 mm; 245 g.; IP31 |

Commercial codes

- HS900/x24Ry Red Hornstrobe
- H900/x24Wy White Hornstrobe

The field "x" can be: R=Red and W=White; the letter "S" in the field "y" it means that the model is synchronized

Distributor:



Bentel Security s.r.l.
Via Gabbiano, 22
Z.I. S. Scolastica
64013 Corropoli (TE) – ITALY
Tel. +39 0861 839060
Fax +39 0861 839065
e-mail: info@bentelsecurity.com
<http://www.bentelsecurity.com>